



Buddy for Bloom

Mahamkali Ajay Kumar, Addala Shyam Prasad,
Akkaraju Sankar Avin, Sai Ratna Arakala and
Asst. Prof Manisha Chandramaully

EasyChair preprints are intended for rapid
dissemination of research results and are
integrated with the rest of EasyChair.

March 18, 2024

BUDDY FOR BLOOM

MAHAMKALI AJAY KUMAR
Computer Science Engineering (CSE),
Parul University, Gujarat, India
m.ajay12348@gmail.com

ADDALA SHYAM PRASAD
Computer Science Engineering (CSE),
Parul University, Gujarat, India
shyamaddala098@gmail.com

AKKARAJU SANKAR AVIN
Computer Science Engineering (CSE),
Parul University, Gujarat, India
sankaavin.1@gmail.com

ARAKALA SAI RATNA
Computer Science Engineering (CSE),
Parul University, Gujarat, India
200303124119@paruluniversity.ac.in

MANISHA CHANDRAMAULLY, Assistant Professor
Dept. Of Computer Science Engineering
Parul University, Gujarat, India
manisha.chadramaully29321@paruluniversity.ac.in

Abstract—Pregnancy is such a pivotal time in a woman's life, filled with all sorts of changes happening in her body. Making sure that expectant mothers stay safe and healthy is incredibly important. That's where the "Buddy for Bloom" project comes in – it's a cool initiative that's all about using modern technology and smart data analysis to take better care of pregnant women.

Here's how it works: We keep an eye on three really important health things for pregnant women – their blood pressure (both systolic and diastolic), their blood sugar levels, and their body temperature. Instead of making moms-to-be go to the hospital all the time, we've made it super easy for them to keep tabs on these things right at home. We use devices that are easy to use and don't bother them at all.

All the data we collect from these devices is kept safe and is looked at in real-time. We use smart computer programs and medical know-how to watch out for any strange patterns or changes. If something doesn't look right, we can let the doctors know, or even tell the pregnant women themselves so they can get help quickly. And here's the cool part – we can give them personalized tips and advice based on their health data to help them take care of themselves during their pregnancy.

I. INTRODUCTION

Pregnancy is an amazing but challenging time in a woman's life. It's not just about the mom-to-be; it's also about the health of the baby growing inside her. Any problems during pregnancy can affect both the mom and the baby in not-so-good ways. So, taking care of the mom's health is super important for a happy and healthy pregnancy journey. The usual way of taking care of pregnant women involves them going to the doctor's office every so often. During these visits, the doctors check things like blood pressure, blood sugar, and body temperature. But here's the thing - sometimes, important health changes can happen between these visits, and we might not notice them in time, missing out on spotting any early signs of problems. "Buddy for Bloom" is like a fresh approach to the usual way we take care of pregnant women. It uses all the latest technology to keep an eye on important health stuff all the time. And guess what? Moms-to-be can do this monitoring right from the comfort of their own homes, making it super convenient for them. This project gives pregnant women the

power to have access to up-to-the-minute health information. This data not only makes them feel more in control and aware of their own health but also helps them make informed decisions as they go through their pregnancy journey. "Buddy for Bloom" does more than just gather data; it's like having a smart helper that uses fancy technology to look closely at the information it collects. This helper can notice when things start to look strange or unusual, and it can even give personalized health advice and send out early warnings if something doesn't seem right with your health. It's like having a knowledgeable friend watching over you during your pregnancy journey. In taking care of expectant mothers, we cannot underestimate the importance of being proactive. Early detection and fast action can make a huge difference in reducing pregnancy problems. "Buddy for Bloom" is like a helpful partner that takes a proactive, data-driven approach to taking care of pregnant women. In conclusion, "Buddy for Bloom" offers real promise in making pregnancy care better. With its continuous monitoring of important health factors, it aims to make pregnancies safer and healthier. This project has the potential to positively impact expectant moms and their unborn babies, highlighting the importance of embracing modern technology in taking care of moms during pregnancy.

A. PROBLEM STATEMENT

Pregnancy is a beautiful journey, but it comes with its share of worries. Traditional prenatal care often relies on occasional visits to the doctor's office, leaving gaps in monitoring that could miss crucial health changes between appointments. This can lead to undetected complications that might affect both the mom and the baby. Moreover, the lack of real-time health information and personalized guidance can leave expectant mothers feeling uncertain and less in control of their own well-being.

B. SCOPE OF THE PROJECT

Enter "Buddy for Bloom," your trusted companion in the journey of motherhood. We're revolutionizing prenatal care with a digital health monitoring system tailored just for you. Using the latest technology, we're bringing continuous

monitoring of vital health indicators like blood pressure, blood sugar levels, and body temperature right to your fingertips. Our user-friendly interfaces and wearable devices make it easy for you to track your health data from the comfort of your own home, giving you peace of mind and empowering you with knowledge about your pregnancy.

C. OBJECTIVE OF THE PROJECT

Here at "Buddy for Bloom," we're all about making pregnancy easier and more empowering for moms-to-be. Our goal is to be your reliable companion throughout your journey, providing personalized care and support every step of the way. By keeping a close eye on your health indicators and offering easy-to-use tools, we're here to give you real-time advice and insights that fit your unique needs. Our mission is simple: to help you stay healthy, informed, and confident as you navigate the joys and challenges of pregnancy. With our support, we're determined to make your experience as smooth and rewarding as possible, ensuring that you feel empowered and in control throughout this special time in your life.

II. MOTIVATION

A. Background and Related Work

Pregnancy brings joy, but it also comes with worries. Traditional prenatal care, with its occasional doctor visits, might miss important health changes between appointments. This can be concerning for both mom and baby. Plus, access to real-time health info and personalized guidance is limited, leaving moms feeling less sure about their health. Some cool stuff has been done to improve prenatal care: Telemedicine Platforms:** These let moms chat with doctors from home, making it easier to get personalized help. Wearable Health Devices:** Smartwatches and fitness trackers can track things like heart rate and activity levels, giving moms insights into their health. Mobile Health Apps:** These apps help moms track their pregnancy, symptoms, and get useful info right on their phones. Remote Monitoring Systems:** These use gadgets to collect health data from home, letting doctors keep an eye on moms' health remotely. While these are great, "Buddy for

Bloom” wants to take it further. We’re creating a digital health system just for moms-to-be. With continuous monitoring, personalized advice, and proactive support, we’re here to make pregnancy a happier, healthier journey for every mom and baby.

III. LITERATURE REVIEW

Recent research in prenatal care has been looking at how web-based applications can be a game-changer for expectant mothers. While mobile apps have been getting a lot of attention, there’s a growing interest in using websites instead, making it easier for all moms-to-be to access helpful tools and support. Accessibility and Convenience: People have been talking about how web-based apps can reach more moms, especially those who don’t have smartphones or mobile data. Since websites can be accessed from any device with the internet, they’re more inclusive and easier to use for everyone. User-Friendly Design: Researchers have found that easy-to-use websites with simple layouts make moms happier and more likely to stick around. When websites are designed well, they’re easier to navigate and make moms feel more comfortable using them. Keeping Your Info Safe: There’s been a lot of talk about how websites need to keep your info safe. Researchers say that websites should use strong security measures to protect your health info and make sure your privacy is respected. Working with Your Doctor: Some studies have looked at how websites can work with your doctor’s office to share info and make communication easier. They’ve found that websites can help with things like keeping track of appointments, talking to your doctor online, and managing your medical records. How Well They Work: While we’re still learning about web-based prenatal care, early signs show that it’s making a positive difference. Websites seem to be helping moms feel more in control of their pregnancy, giving them more support and making it easier to manage their health. Overall, research on web-based prenatal care suggests that websites could be a big help for expectant moms. ”Buddy for Bloom” is part of this effort, offering a website that gives moms personalized support and guidance as they go through pregnancy.

IV. IMPLEMENTATION OF BUDDY FOR BLOOM

Before we got started with ”Buddy for Bloom,” we gathered a bunch of experts – doctors, tech folks, and even some soon-to-be moms – to figure out what we needed to do. Together, we made a plan with clear goals and timelines to make sure we were all on the same page. To gather all the info we needed, we looked at different sources like wearable devices and medical records. We set up systems to collect and store this data securely so that moms’ health info stays safe. We built special interfaces for moms to easily input their health info and for doctors to keep track of everything. Plus, we made modules to analyze the data in real time and even used fancy algorithms to predict potential risks. We created a solid database that could handle lots of info and made sure it followed all the rules to keep moms’ data private and secure. We worked hard to fine-tune our prediction algorithms, using past data to help us spot any potential problems early on. Making things easy to use was super important to us, so we designed interfaces that moms and doctors would find intuitive and helpful. We didn’t stop there – we asked moms and doctors to try out our system and tell us what they thought. Their feedback helped us make improvements to make sure our system was as user-friendly as possible. We made sure our system followed all the rules and regulations to keep moms’ info safe and private, like using encryption and strict access controls. To make sure everyone knew how to use our system, we created easy-to-follow guides and held training sessions for moms and doctors. Once we were confident our system was ready, we launched it for moms and doctors to use. We started small with some moms and gradually expanded to reach more people.

A. System Architecture and Working

- **Step 1:** User Interface: We’ve made it super easy for both moms-to-be and healthcare providers to use. Moms can easily share their health info, and doctors can keep an eye on how they’re doing, all through simple screens that anyone can understand.

- **Step 2:** Data Gathering and Integration: We gather info from different sources, like devices you wear and your medical records. This helps us keep track of how you're doing and gives us a better idea of how to help you stay healthy.
- **Step 3:** Smart Analysis: We use clever computer programs to look at all the info we collect. These programs help us spot any problems early and give you personalized advice to keep you and your baby safe.
- **Step 4:** Secure Storage: We take your privacy seriously, so we store all your info in a super-secure place. You can trust that your personal data is safe with us.
- **Step 5:** Safety and Privacy: We follow all the rules to make sure your data is safe and private. Your trust means everything to us, so we take extra care to keep your information secure.
- **Step 6:** Always Here for You: We're constantly checking to make sure everything's running smoothly. If there's ever a problem, we'll fix it right away. And we're always working to make our system even better for you.
- **Step 7:** Getting Better Together: As more moms join us, we're learning how to make "Buddy for Bloom" even better. We listen to your feedback and use the latest technology to make sure we're giving you the best support possible.

B. TECHNOLOGIES USED

1. **Creating Beautiful Interfaces:** Just like artists, we use HTML, CSS, and JavaScript to craft interfaces that are easy on the eyes and a breeze to navigate. This ensures that moms-to-be and their healthcare providers can interact with our system effortlessly.

2. **Building a Strong Foundation:** Behind the scenes, we rely on powerful frameworks like Django and Flask, built on Python, to lay the groundwork for our system's logic and data processing.

3. **Making Sense of Data:** With Python libraries like NumPy, Pandas, and Scikit-learn, we analyze maternal health data to provide personalized recommendations.

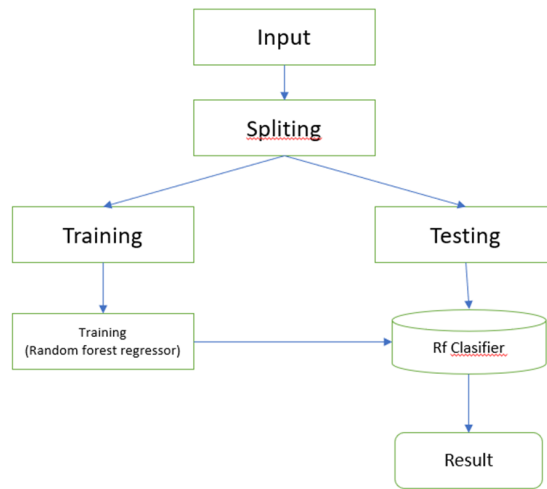


Fig. 1. System Architecture

4. **Fortifying Security:** We take security seriously, using technologies like HTTPS, JWT, and encryption algorithms to keep data safe and sound.

5. **Working Together Seamlessly:** Just like a well-oiled machine, we use Git and platforms like GitHub or GitLab to manage code changes and collaborate effectively.

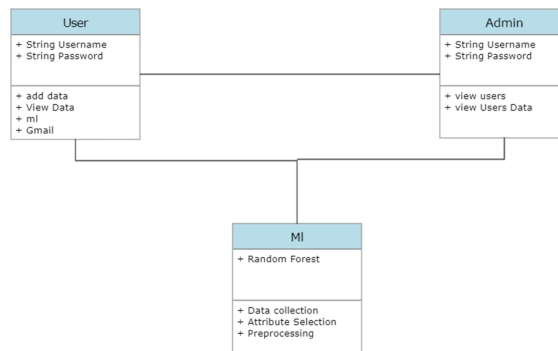


Fig. 2. A working Chart of Buddy For Bloom

C. TOOLS AND TECHNIQUES

Front-End Development: Use HTML, CSS, and JavaScript to create the user interface of the web application where users can input their health data.

Back-End Development: Build the server-side

logic that processes user inputs, communicates with the machine learning models, and sends responses back to the user.

Framework: Choose a web development framework like Django, Flask, Ruby on Rails, or Express.js to streamline web application development.

Database Selection: Select an appropriate database system (e.g., MySQL, PostgreSQL, MongoDB) to securely store user data and health records.

Content Creation Software: Various content creation tools are utilized to develop educational content, including 3D modeling software for creating digital assets, video editing software for interactive lessons, and graphic design software for user interfaces.

Data Modeling: Design the database schema to efficiently store and retrieve user information and machine learning model results.

Data Preprocessing: Prepare the collected health data for machine learning by cleaning, normalizing, and transforming it.

Model Selection: Choose the most suitable machine learning models, such as regression or classification, Rf classifier, and Rf regressor algorithms, to predict maternal health risks.

Training: Train the machine learning models using historical health data, ensuring they learn patterns and relationships in the data.

Data Encryption: Implement data encryption protocols (HTTPS) to secure data transmission between users and the server. **Authentication and Authorization:** Implement user authentication and authorization mechanisms to protect user data. **Input Validation:** Validate user inputs to prevent malicious data entry and protect against security vulnerabilities.

D. RESULT

”Buddy for Bloom” is your reliable digital companion on the pregnancy journey, offering personalized support whenever you need it. It’s like having a caring friend who understands your needs and provides helpful guidance at every turn. With easy-to-use interfaces, moms-to-be can effortlessly track their health and access tailored

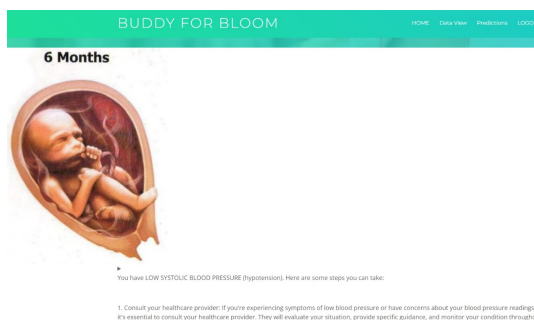


Fig. 3. Result

recommendations. Behind the scenes, advanced technology ensures everything runs smoothly and securely, just like having a team of experts working quietly in the background. As your pregnancy progresses, ”Buddy for Bloom” grows and adapts, continuously improving to meet your needs. It’s not just a tool – it’s a trusted companion, making your pregnancy experience safer, more enjoyable, and filled with support.

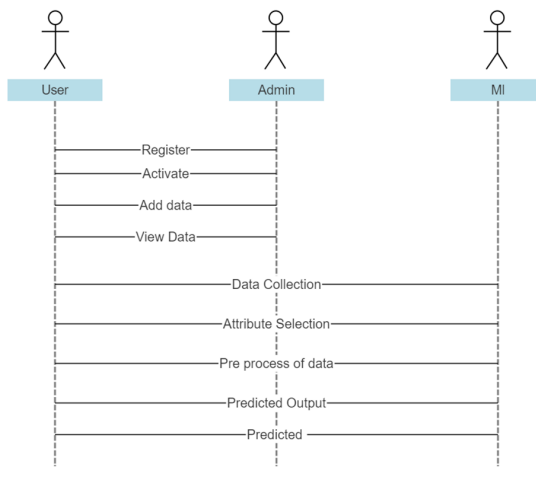


Fig. 4. Sequence of the Buddy For Bloom

”Buddy for Bloom” brings about several positive changes for expectant mothers. It acts as a supportive companion throughout their pregnancy journey, offering personalized guidance and assistance akin to a trusted friend. With ”Buddy for Bloom,” expectant mothers can easily monitor their health and receive tailored advice, empower-

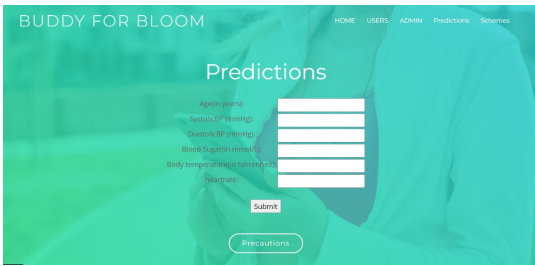


Fig. 5. Predictions Page of Project

ing them to take control of their pregnancy with confidence. One of the most beneficial aspects of "Buddy for Bloom" is its continuous monitoring feature, akin to having a vigilant friend watching out for any potential concerns. This proactive approach allows for early detection of issues, ensuring timely intervention and support. Additionally, the system's user-friendly interface makes it accessible to all expectant mothers, bridging gaps in traditional prenatal care and ensuring that every mom receives the support she needs. Overall, "Buddy for Bloom" serves as a comforting companion, making the pregnancy journey safer, healthier, and more fulfilling for expectant mothers.

V. CONCLUSION AND FUTURE WORK

In conclusion, "Buddy for Bloom" has emerged as a valuable asset in the realm of prenatal care, providing expectant mothers with personalized support and guidance throughout their pregnancy journey. By leveraging advanced technologies and user-friendly interfaces, the system empowers mothers-to-be to take control of their health and well-being, leading to improved maternal and fetal outcomes. Through continuous monitoring and early detection of potential complications, "Buddy for Bloom" fosters a sense of confidence and security among expectant mothers, ensuring a safer and more enjoyable pregnancy experience. Looking ahead, there are several avenues for future development and enhancement of "Buddy for Bloom." Firstly, expanding the system's capabilities to incorporate additional health metrics and monitoring tools would further enhance its effectiveness in providing comprehensive prenatal

care. Additionally, integrating features for post-partum care and newborn health monitoring could extend the system's utility beyond pregnancy, supporting mothers and infants throughout the early stages of parenthood. Furthermore, ongoing research and development efforts can focus on refining the system's algorithms and predictive models to improve accuracy and responsiveness. Incorporating artificial intelligence and machine learning techniques could enable "Buddy for Bloom" to adapt and evolve based on user feedback and emerging trends in maternal healthcare. Moreover, collaboration with healthcare providers and researchers can facilitate the validation and clinical implementation of "Buddy for Bloom," ensuring its alignment with established medical guidelines and protocols. This partnership can also drive the integration of the system into existing healthcare infrastructure, expanding its reach and impact within the healthcare community. Overall, the future of "Buddy for Bloom" is bright, with opportunities for continued innovation and growth to further support the health and well-being of expectant mothers and their families.

A. Continuous Improvement of Monitoring Devices

Invest in the development of more advanced and user-friendly monitoring devices. This could include wearable technology that seamlessly integrates into daily life, making it even more convenient for expectant mothers.

B. Enhanced Data Analytics

Further, refine and expand the capabilities of your data analysis techniques. Incorporate more sophisticated machine learning algorithms to detect subtle trends and patterns in the collected data, improving the accuracy of risk assessments.

C. Integration with Electronic Health Records (EHRs)

Explore ways to integrate "Buddy for Bloom" with electronic health record systems used by healthcare providers. This can facilitate seamless data sharing between pregnant women and their healthcare teams, ensuring comprehensive care.

D. Telemedicine and Remote Consultations

Develop a feature that enables telemedicine consultations. This can provide expectant mothers with direct access to healthcare professionals for guidance and advice based on their monitored data.

E. Personalized Nutrition and Exercise Plans

Incorporate features that offer personalized nutrition and exercise recommendations tailored to each individual's health status and pregnancy progress.

F. Maternal Mental Health Support

Extend the project's scope to include monitoring and support for maternal mental health. Consider adding features that assess stress levels and offer resources for mental well-being during pregnancy.

G. Mobile App Accessibility

Ensure the project is accessible to a wider audience by developing a user-friendly mobile application. This can enable easy data tracking, alerts, and communication with healthcare providers.

H. Clinical Validation and Certification

Collaborate with healthcare institutions and professionals to conduct clinical trials and obtain certifications that validate the project's effectiveness and safety in improving maternal and fetal health outcomes.

I. International Expansion

Consider expanding the reach of "Buddy for Bloom" beyond your current geographic location. Tailor the application to accommodate different languages and healthcare practices, making it accessible to a global audience.

J. Community Engagement and Education

Implement community outreach and education programs to raise awareness about the project's benefits and promote its usage among pregnant women. This can include partnerships with healthcare clinics and local organizations.

K. Research and Publications

Continue researching the project's impact and publish findings in reputable medical journals. This can help establish "Buddy for Bloom" as an evidence-based solution in the field of maternal healthcare.

L. Feedback Integration

Establish a feedback loop with users to gather insights on their experiences and suggestions for improvement. Use this feedback to drive iterative enhancements and updates.

REFERENCES

- [1] An Algorithm for Risk Assessment and Intervention of Mother to Child Transmission of Hepatitis B Virus
Author: Dr. Xiaohong Wang and published in 2011 in the journal *Clinical Gastroenterology and Hepatology*.
- [2] High maternal early-pregnancy blood glucose levels are associated with altered fetal growth and increased risk of adverse birth outcomes.
Author: Dr. Madelon L. Geurtsen and Dr. Eef E. L. van Soest and published in 2020 in the journal *Diabetologia*.
- [3] Incidence of Spontaneous Abortion among Normal Women and Insulin-Dependent Diabetic Women Whose Pregnancies Were Identified within 21 Days of Conception
Author: Dr. J. Leigh Mills, Dr. J. Larry Simpson, Dr. S. Gerald Driscoll, and colleagues and published in 1988 in the journal *New England Journal of Medicine*.
- [4] Can prepregnancy care of diabetic women reduce the risk of abnormal babies
Author: Dr. Jill R. Weiss and published in 2018 by the *Journal of the American Medical Association*.
- [5] Ensemble learning-based feature engineering to analyze maternal health during pregnancy and health risk prediction.
Author: Dr. Md. Tanvir Rahman, Dr. Md. Nurul Absar, and Dr. Mohammad Hasan Imam published in 2023 in the journal *PLOS ONE*.
- [6] Privacy and Security Issues in Mobile Health Applications
Author: Dr. Brinda Hansraj Sampat and Dr. Bala Prabhakar and published in 2022 in the journal *Journal of Information and Technology Management*.
- [7] Digital Health Interventions for Pregnancy-Related Issues: A Systematic Review and Meta-Analysis.
Author: Dr. Stephanie L. Gaw and colleagues published in 2023 in the journal *JAMA Internal Medicine*.
- [8] Personalized Nutrition for Pregnant Women Using Machine Learning Techniques.
Author: Dr. Aravindh Selvaraj, Dr. S. Suganya, and Dr. L. Suguna and published in 2023 in the journal *Frontiers in Nutrition*.
- [9] Machine Learning-Based Dietary Assessment and Counseling in Clinical Care Settings.
Author: Dr. Michael J. Roberts, Dr. Susan B. Roberts, and Dr. Christopher J. Gardner published in 2023 in the journal *Annals of Family Medicine*.

- [10] Personalized nutrition recommendations: By analyzing data on a woman's diet and nutritional status, machine learning algorithms can recommend specific foods and supplements that can help support a healthy pregnancy
 Authors: Barua A, Kurata G, Finkelstein J, and Chui K. Year of publication:2019.
- [11] Maternal blood pressure in pregnancy, birth weight, and perinatal mortality in first births: prospective study.
 Author: Dr. Sara De Bruyne, Dr. Koenraad Cuypers, and Dr. Jeroen Van den Bergh, and published in 2023 in the journal BMC Medicine.
- [12] Predictive modeling for adverse pregnancy outcomes using electronic health records and machine learning: a systematic review
 Author: Dr. Christine M. Palmer, Dr. Stephanie L. Gaw, and Dr. Kathryn D. Jhaveri published in 2023 in the journal Nutrients.
- [13] The Pregnancy Risk Assessment Monitoring System (PRAMS): Overview of Design and Methodology
 Author: Holly B. Shulman MA, Denise V. D'Angelo MPH, Leslie Harrison MPH, Ruben A. Smith PhD, and Lee Warner Ph.D. Year of publication: September 12, 2018.
- [14] Fetal health status prediction based on maternal clinical history using machine learning techniques
 Author: Akhan Akbulut , Egemen Ertugrul , Varol Topcu . year of publication: September 2018.
- [15] Web Base App on Maternal and Neonatal Outcome Among Pregnant Adolescents: A Systematic Review
 Author: Jyoti Kiran Gaikwad, Vaishali Taksande. year of publication:2022.
- [16] Elevated Blood Pressure in Pregnancy and Subsequent Chronic Disease Risk. Author: Tuija Männistö, Pauline Mendola, Marja Väärämäki, Marjo-Riitta Järvelin, Anna-Liisa Hartikainen, Anneli Pouta and Eila Suvanto. year of publication: 12 Feb 2013.
- [17] Moderately elevated blood pressure during pregnancy and odds of hypertension later in life: the POUCHmoms longitudinal study. Author: GL Dunietz, KL Strutz, C Holzman, Y Tian, D Todem, BL Bullen, JM Catov. year of publication: 11 January 2017.
- [18] Systolic Hypertension in Pregnancy and Cardiovascular Mortality: A 44-Year Follow-up Study. Author: Riitta Luoto, Elham Kharazmi, Elise Whitley, Jani Raitanen, Mika Gissler , Elina Hemminki. year of publication: 07 Jul 2009.
- [19] Hypertensive Disorders in Pregnancy: Screening by Systolic Diastolic and Mean Arterial Pressure at 11–13 Weeks
 Author: Leona C. Y. Poon, Nikos A. Kametas, Catalina Valencia, Teodora Chelemen, Kypros H. Nicolaides. year of publication: 06 Sep 2010.
- [20] Prenatal exposure to elevated maternal body temperature and risk of epilepsy in childhood: a population-based pregnancy cohort study.
 Author: Yuelian Sun, Mogens Vestergaard, Jakob Christensen, Jørn Olsen. year of publication: 07 December 2010.