



## Differential Phase Shifter for Satellite Antennas

---

Xi Chen

EasyChair preprints are intended for rapid dissemination of research results and are integrated with the rest of EasyChair.

June 4, 2021

## Differential Phase Shifter for Satellite Antennas

**Abstract** — This article presents the design and characteristics of new wideband differential phase shifter based on a square waveguide with diaphragms. Matching and polarization characteristics of the differential phase shifter have been simulated and optimized. Frequency dependences of the simulated characteristics are presented. Developed differential phase shifter can be applied in modern satellite antennas.

**Keywords:** microwave engineering, telecommunication systems, differential phase shifter, polarizer, circular polarization, differential phase shift, crosspolar isolation, axial ratio, satellite information systems, satellite antennas.

### INTRODUCTION

Nowadays, new extended frequency bands are widely applied in modern satellite information systems, terrestrial communications and radio astronomy [1–6]. In this regard the development and simulation of new designs of waveguide differential phase shifters is a relevant problem [7–18]. Differential phase shifters are an essential part of the feeds of satellite reflector antennas. The application of differential phase shifters allows to operate at two orthogonal circular polarizations. Consequently, the volumes of transmitted information in the telecommunication system increase in two times.

### DESIGN OF THE DEVELOPED DIFFERENTIAL PHASE SHIFTER

A waveguide differential phase shifter is a microwave device, which performs the conversion of the electromagnetic waves with orthogonal circular polarizations into electromagnetic waves with linear polarizations. This operation is performed by the introduction of an additional differential phase shift of  $90^\circ$  between the modes of a waveguide with orthogonal polarizations.

Typically, differential phase shifters and orthomode transducers are based on circular and coaxial waveguides [19], and square waveguides [20–32]. The main advantage of the iris differential phase shifter is its most wideband operation compared to other designs. Besides, it provides efficient electromagnetic characteristics and good matching of a structure. The main disadvantage is the increase of the differential phase shifter's length for the wide and ultra wide operating bands. Differential phase shifters based on guides with irises are technological devices and they are easily fabricated by milling.

Inner structure of typical structure of the waveguide iris differential phase shifter is shown in Fig. 1. The differential phase shifter is based on the square waveguide and several diaphragms.

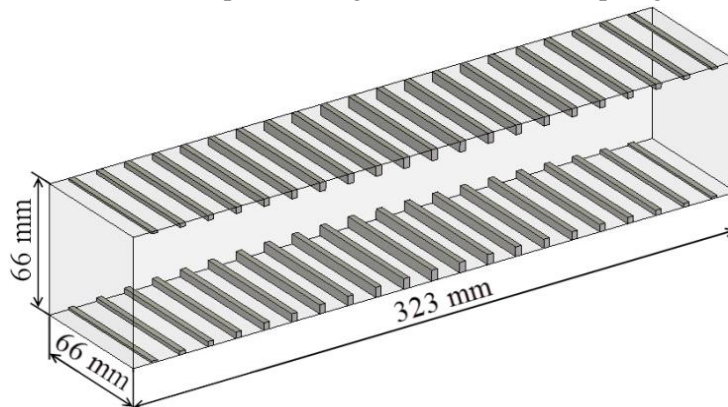


Fig. 1. The structure of a differential phase shifter based on the square waveguide with irises

### ELECTROMAGNETIC CHARACTERISTICS OF DEVICE

The sizes of the waveguide and irises were varied for the optimization. The most important parameter of a differential phase shifter is differential phase shift. Optimized differential phase shift of the differential phase shifter is demonstrated in Fig. 2. The introduced differential phase shift is  $90^\circ \pm 3^\circ$  in the operating satellite band 3.4–4.8 GHz. The crosspolar isolation of the differential phase shifter is higher than 31 dB. Fig. 3 presents the frequency dependences of VSWR. The solid curve correspond to the vertical polarization. The dashed curve corresponds to the horizontal polarization. As one can see, VSWR is less than 1.1 for both polarizations of waveguide modes.

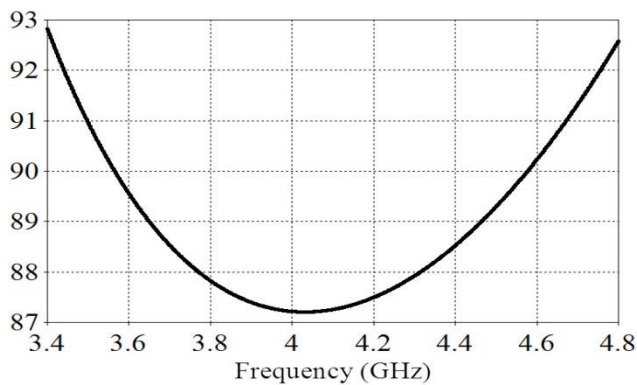


Fig. 2. Differential phase shift of a differential phase shifter in the extended satellite C-band

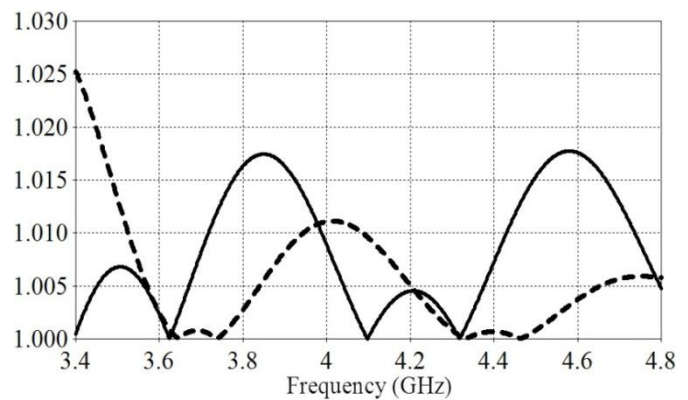


Fig. 3. VSWRs of a differential phase shifter in the extended satellite C-band for both polarizations

## CONCLUSIONS

Therefore, a new differential phase shifter has been developed and optimized in the article. The structure consists of a square waveguide with metal irises in it. Developed differential phase shifter provides efficient phase characteristic and good matching with low VSWR level. Developed differential phase shifter can be widely applied in modern satellite antenna systems.

## REFERENCES

1. Piltyay S., Bulashenko A., Kushnir H., Bulashenko O. Information resources economy in satellite systems based on new microwave polarizers with tunable posts // *Path of Science*. 2020. Vol. 6, № 11. P. 5001–5010. DOI: 10.22178/pos.55-1.
2. Piltyay S. I. High performance extended C-band 3.4–4.8 GHz dual circular polarization feed system // *XI International Conference on Antenna Theory and Techniques (ICATT)*, Kyiv, Ukraine, May 2017, pp. 284–287. DOI: 10.1109/ICATT.2017.7972644.
3. Piltyay S., Bulashenko A., Demchenko I. Wireless sensor network connectivity in heterogeneous 5G mobile systems // *IEEE International Conference on Problems of Infocommunications. Science and Technology (PIC S&T)*, Kharkiv, Ukraine, October 2020, pp. 508–513.
4. Bulashenko A., Piltyay S., Demchenko I. Energy efficiency of the D2D direct connection system in 5G networks // *IEEE International Conference on Problems of Infocommunications. Science and Technology (PIC S&T)*, Kharkiv, Ukraine, October 2020, pp. 324–329.
5. Bulashenko A., Piltyay S., Polishchuk A., Bulashenko O. New traffic model of M2M Technology in 5G wireless sensor networks // *IEEE 2nd International Conference on Advanced Trends in Information Theory (IEEE ATIT)*, Kyiv, Ukraine, November 2020, pp. 125–131. DOI: 10.1109/ATIT50783.2020.9349305.
6. Bulashenko A. Evaluation of D2D Communications in 5G networks // *Visnik NTUU KPI Seriya – Radiotekhnika, Radioaparotobuduvannia*. 2020. Vol. 81. P. 21–29. DOI: 10.20535/RADAP.2020.81.21-29.
7. Piltyay S., Bulashenko A., Sushko O., Bulashenko O., Demchenko I. Analytical modeling and optimization of new Ku-band tunable square waveguide iris-post polarizer. *International Journal of Numerical Modelling: Electronic Networks, Devices and Fields*. 2021. Vol. 34, № 4. P. 1–27. DOI: 10.1002/JNM.2890.
8. Piltyay S., Bulashenko A., Demchenko I. Compact polarizers for satellite information systems // *IEEE International Conference on Problems of Infocommunications. Science and Technology (PIC S&T 2020)*, Kharkiv, Ukraine, October 2020, pp. 350–355.
9. Piltyay S.I., Bulashenko A.V., et al. Analytical synthesis of waveguide iris polarizers // *Telecommunications and Radio Engineering*. 2020. Vol. 79, № 18. P. 1579–1597. DOI: 10.1615/TelecomRadEng.v79.i18.10.
10. Bulashenko A. V., Piltyay S. I., Demchenko I. V. Wave matrix technique for waveguide iris polarizers simulation. Theory // *Journal of Nano- and Electronic Physics*. 2020. Vol. 12, № 6. P. 06026-1–06026-5. DOI: 10.21272/jnep.12(6).06026.
11. Bulashenko A. V., Piltyay S. I., Demchenko I. V. Wave matrix technique for waveguide iris polarizers simulation. Numerical results // *Journal of Nano- and Electronic Physics*. 2020. Vol. 13, № 3. — P. 03023-1–03023-5. DOI: DOI: 10.21272/jnep.13(3).03023.
12. Bulashenko A. V., Piltyay S. I. Equivalent microwave circuit technique for waveguide iris polarizers development // *Visnyk NTUU KPI Seriya – Radiotekhnika, Radioaparotobuduvannia*. 2020. Vol. 83. P. 17–28. DOI: 10.20535/RADAP.2020.83.17-28.

13. Bulashenko A., Piltyay S., Demchenko I. Analytical technique for iris polarizers development // IEEE International Conference on Problems of Infocommunications. Science and Technology (PIC S&T 2020), Kharkiv, Ukraine, October 2020, pp. 464–469.
14. Piltyay S., Bulashenko A., Herhil Y., Bulashenko O. FDTD and FEM simulation of microwave waveguide polarizers // IEEE 2nd International Conference on Advanced Trends in Information Theory (IEEE ATIT), Kyiv, Ukraine, November 2020, pp. 357–363. DOI: 10.1109/ATIT50783.2020.9349339.
15. Bulashenko A., Piltyay S., Kalinichenko Ye., Bulashenko O. Mathematical modeling of iris-post sections for waveguide filters, phase shifters and polarizers // IEEE 2nd International Conference on Advanced Trends in Information Theory, Kyiv, Ukraine, November 2020, pp. 330–336. DOI: 10.1109/ATIT50783.2020.9349321.
16. Piltyay S.I., Bulashenko A.V., Herhil Y.Y. Numerical performance of FEM and FDTD methods for the simulation of waveguide polarizers // Visnyk NTUU KPI Seriya – Radiotekhnika, Radioaparotobuduvannia. 2021. Vol. 84. P. 11–21. DOI: 10.20535/RADAP.2021.84.11-21.
17. Piltyay S.I., Bulashenko A.V. Microwave waveguide polarizers optimization in frequency and time domains // Prospects and priorities of research in science and technology: collective monograph / Baltija Publishing. – 2021. P. 179–198. DOI: 10.30525/978-9934-26-008-7.2-10.
18. Bulashenko A., Piltyay S. Modelling and optimization of waveguide polarizers with the account of irises thickness // Integration of traditional and innovation processes of development of modern science: collective monograph / Baltija Publishing. – 2021. P. 109–140. DOI: 10.30525/978-9934-26-021-6-34.
19. Piltyay S. I. Enhanced C-band coaxial orthomode transducer // Visnyk NTUU KPI Seriya – Radiotekhnika, Radioaparotobuduvannia. 2014. Vol. 58. P. 27–34. DOI: 10.20535/RADAP.2014.58.27-34.
20. Piltyay S. I., Bulashenko A. V., Demchenko I. V. Waveguide iris polarizers for Ku-band satellite antenna feeds // Journal of Nano- and Electronic Physics. 2020. Vol. 12, № 5. P. 05024-1–05024-5. DOI: 10.21272/jnep.12(5).05024.
21. Piltyay S.I., Sushko O.Yu., Bulashenko A.V., Demchenko I.V. Compact Ku-band iris polarizers for satellite telecommunication systems // Telecommunications and Radio Engineering. 2020. Vol. 79, № 19. P. 1673–1690. DOI: 10.1615/TelecomRadEng.v79.i19.10.
22. Piltyay S. Numerically effective basis functions in integral equation technique for sectoral coaxial ridged waveguides // Proceedings of 14-th International Conference on Mathematical Methods in Electromagnetic Theory (MMET 2012), Kyiv, Ukraine, August 2012, pp. 492–495. DOI: 10.1109/MMET.2012.6331195.
23. Piltyay S., Bulashenko A., Kushnir H., Bulashenko O. New tunable iris-post square waveguide polarizers for satellite information systems // IEEE 2nd International Conference on Advanced Trends in Information Theory (IEEE ATIT 2020), Kyiv, Ukraine, November 2020, pp. 342–348. DOI: 10.1109/ATIT50783.2020.9349321.
24. Bulashenko A.V., Piltyay S.I., et al. Tunable square waveguide polarizer with irises and posts // Technical Engineering. 2020. Vol. 86, № 2. P. 108–116. DOI: 10.26642/ten-2020-2(86)-108-116.
25. Bulashenko A.V., Piltyay S.I., et al. Compact waveguide polarizer with three antiphase posts // Visnyk VPI. 2020. Vol. 5. P. 97–104. DOI: 10.31649/1997-9266-2020-151-5-97-104.
26. Bulashenko A.V., Piltyay S.I., et al. Optimization of a polarizer based on a square waveguide with irises // Science-Based Technologies. 2020. Vol. 47, № 3. P. 287–297. DOI: 10.18372/2310-5461.47.14878.
27. Bulashenko A.V., Piltyay S.I., et al. Waveguide polarizer with three irises for antennas of satellite television systems // Science-Based Technologies. 2021. Vol. 49, № 1. P. 39–48. DOI: 10.18372/2310-5461.49.15290.
28. Piltyay S. I., et al. High performance waveguide polarizer for satellite information systems // Bulletin of Cherkasy State Technological University. 2020. Vol. 4. P. 14–26. DOI: 10.24025/2306-4412.4.2020.217129.
29. Bulashenko A.V., Piltyay S.I., Demchenko I.V. Simulation of compact polarizers for satellite telecommunication systems with the account of thickness of irises // KPI Science News. 2021. Vol. 1. P. 7–15.
30. Piltyay S.I. Wideband antiphase power combiner/divider // 9-th International Youth Science & Engineering Conference «Modern Problems of Radio Engineering and Telecommunications», Sevastopol, Ukraine, 2013, p. 220.
31. Piltyay S. Enhanced C-band antiphase power combiner/divider // The 2-nd International Conference “Radioengineering fields, signals, equipment and systems”, Kyiv, Ukraine, 2013, pp. 105–106.
32. Piltyay S., Bulashenko A. Microwave waveguide polarizers optimization in frequency and time domains // Boston, USA, Theoretical aspects of modern engineering: collective monograph / International Science Group. – 2020. P. 251–254. DOI: 10.46299/ISG.2020.MONO.TECH.III.